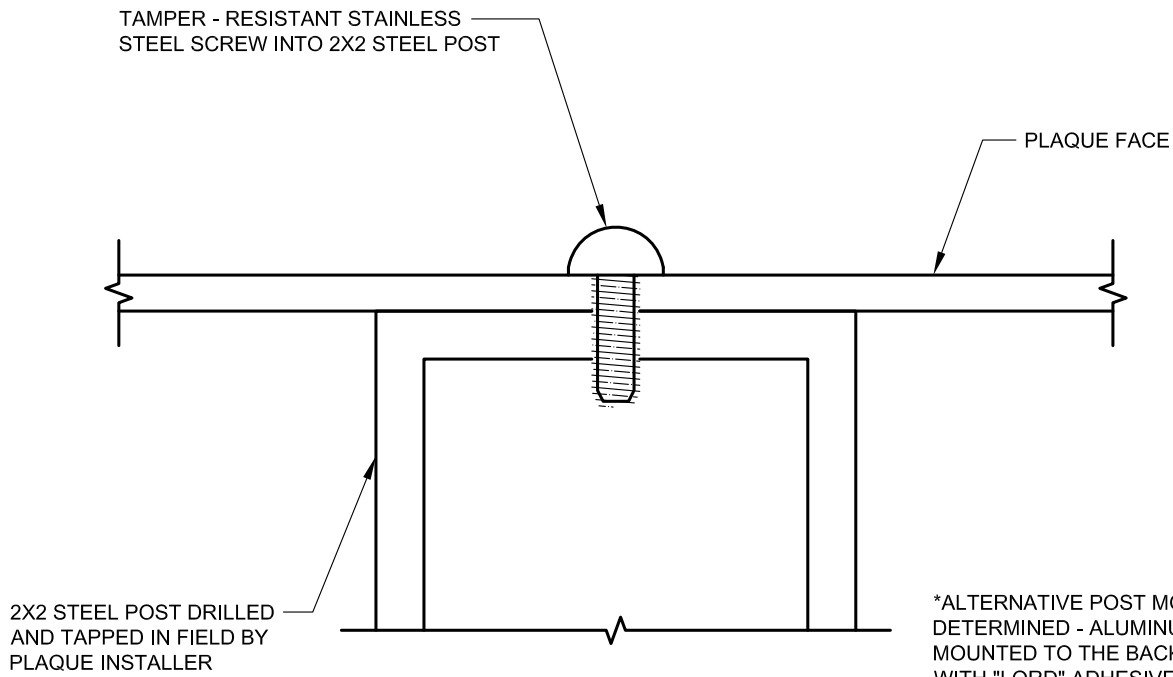


MASONRY WALL - MOUNTED PLAQUES



*ALTERNATIVE POST MOUNTING TO BE DETERMINED - ALUMINUM ANGLES MOUNTED TO THE BACK OF PLAQUE WITH "LORD" ADHESIVE #403 OR WITH THREADED STUD FASTENERS INTO BACK OF PLAQUE. TAMPER RESISTANT FASTENERS THROUGH ANGLES AND POST.