

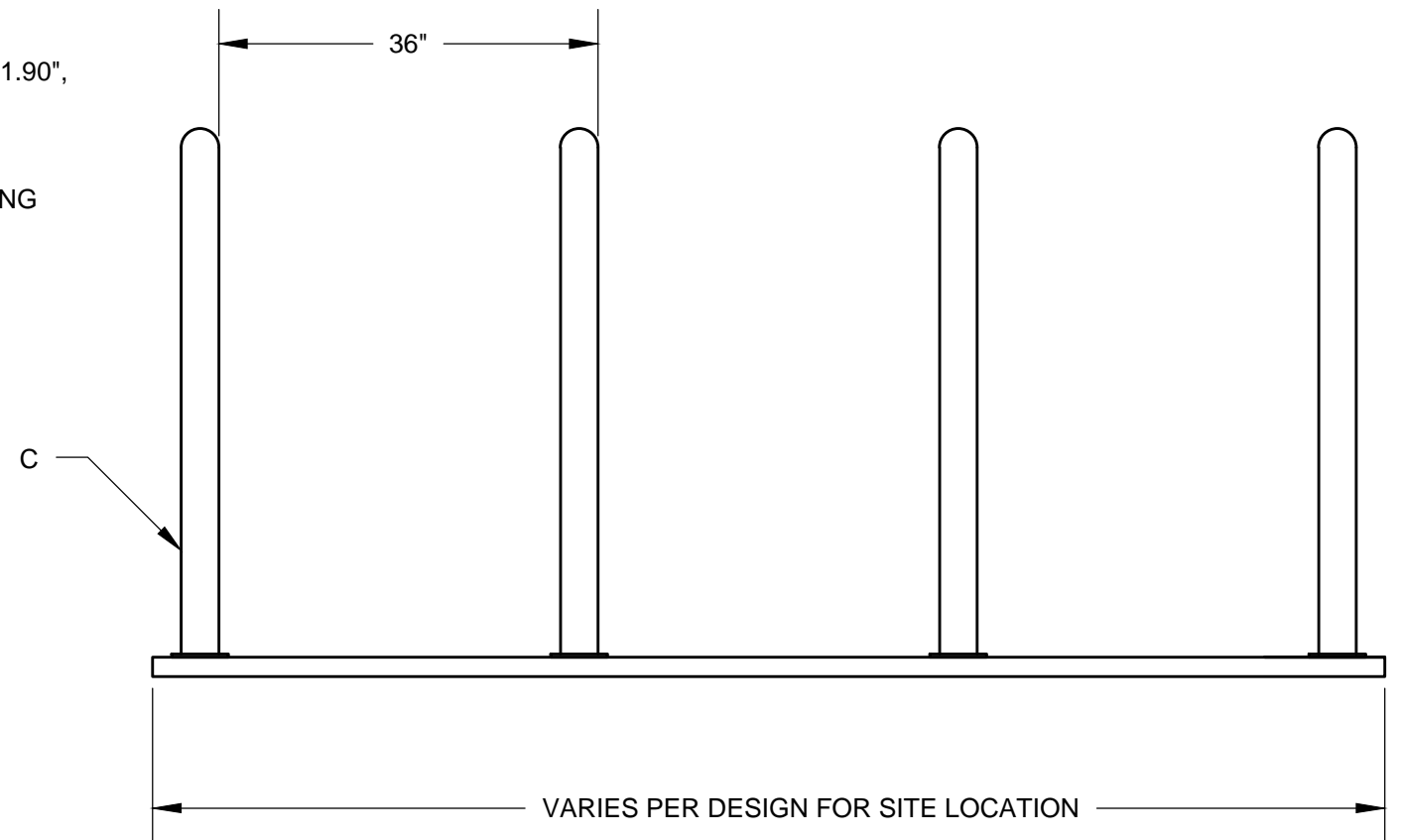
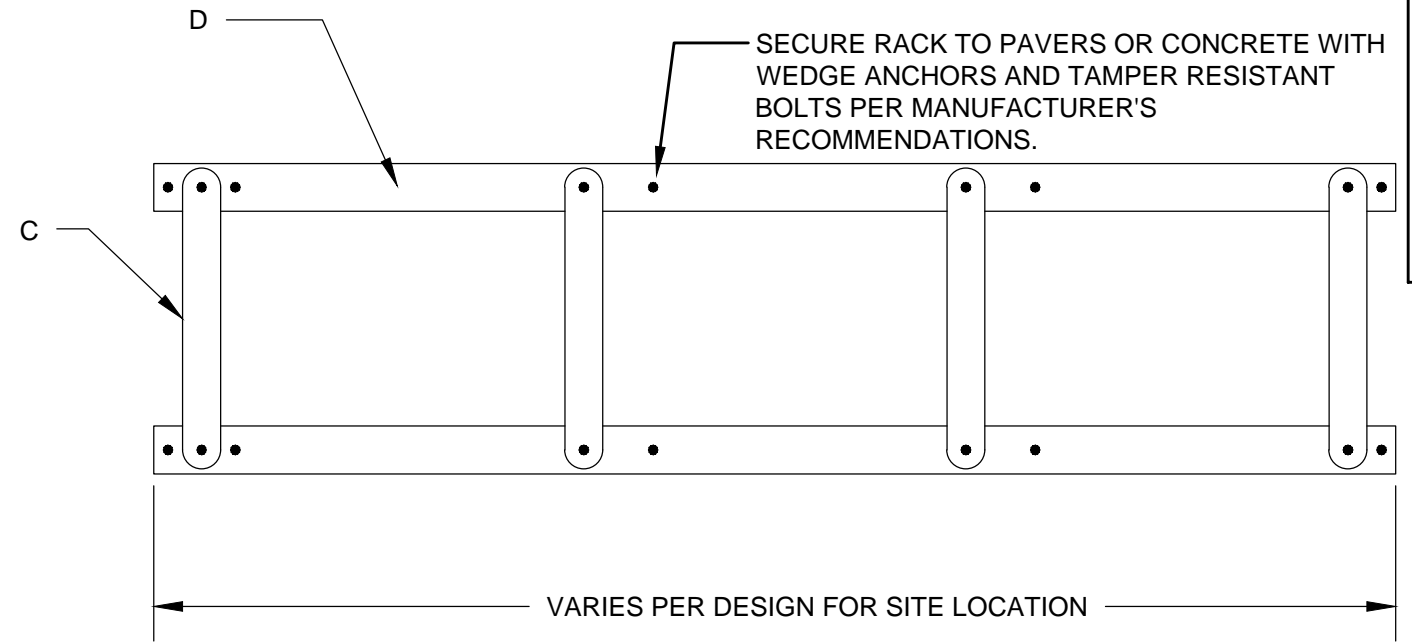
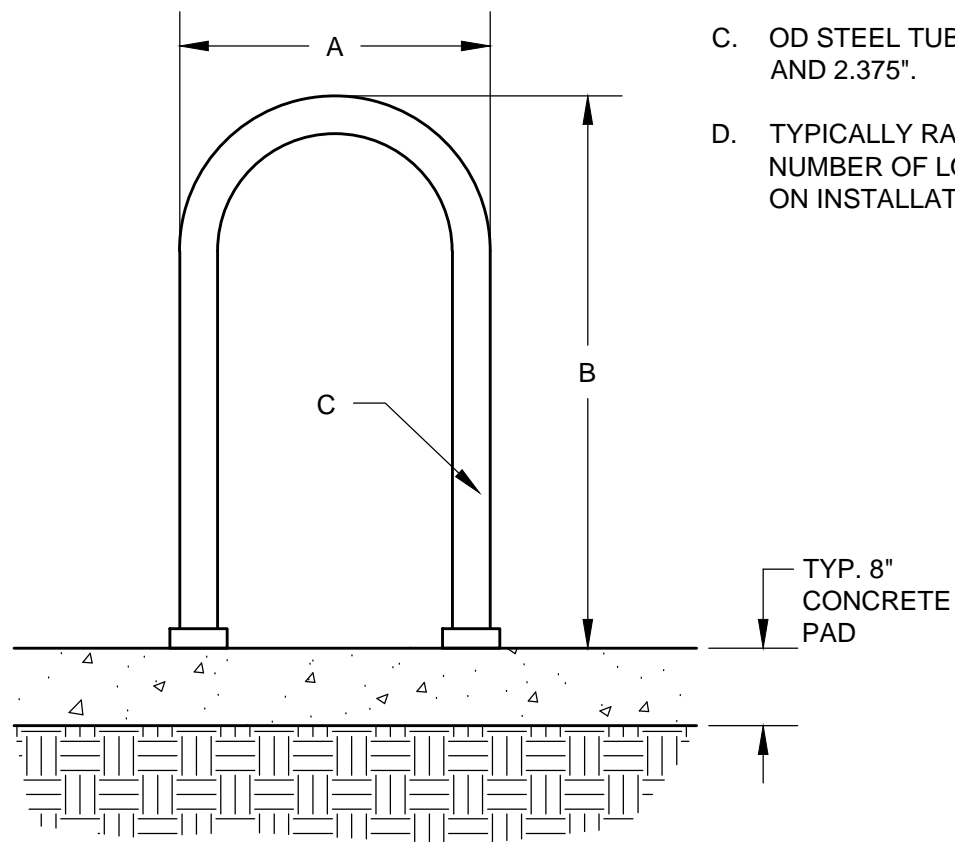
ACCEPTABLE LOOP TYPES

SPECIFICATIONS

1. MATERIAL: GALVANIZED OR STAINLESS STEEL (POWDER COATED IS NOT ACCEPTABLE)
2. SPACING BETWEEN LOOPS SHALL BE 36"

SPECIFIC NOTES:

- A. WIDTH OF LOOP MAY VARY BETWEEN 21" - 30".
- B. HEIGHT OF LOOP MAY VARY BETWEEN 32" - 38"
- C. OD STEEL TUBING MAY VARY BETWEEN 1.90", AND 2.375".
- D. TYPICALLY RAILS ARE 3" 'C' CHANNEL. NUMBER OF LOOPS MAY VARY DEPENDING ON INSTALLATION SITE LOCATION.



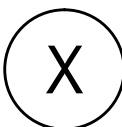
ADD-1: August 1, 2016

Date: August 1, 2016

Dwg. No.: 12 93 13-1

GENERAL BICYCLE RACK INSTALLATION

UNIVERSITY OF ILLINOIS AT URBANA-CHAMPAIGN FACILITIES STANDARDS ADDENDUM 1, REVISION 2013



GENERAL BICYCLE RACK INSTALLATION

NO SCALE