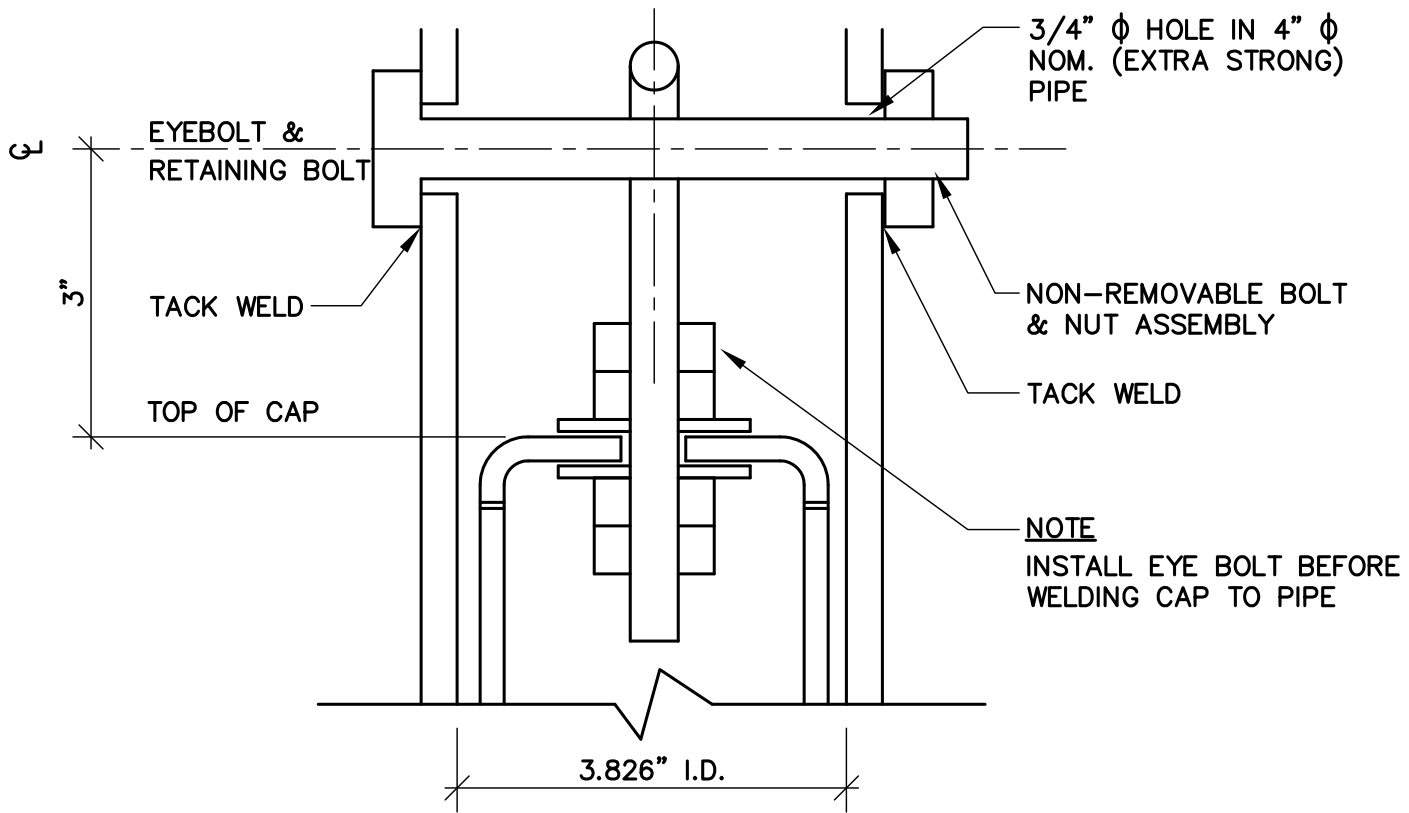


HALF SCALE DETAIL



SECTION A-A

REMOVABLE BOLLARD - RETAINING EYEBOLT ASSEMBLY

Date: June 15, 2013

Dwg. No.: 12 93 53-6