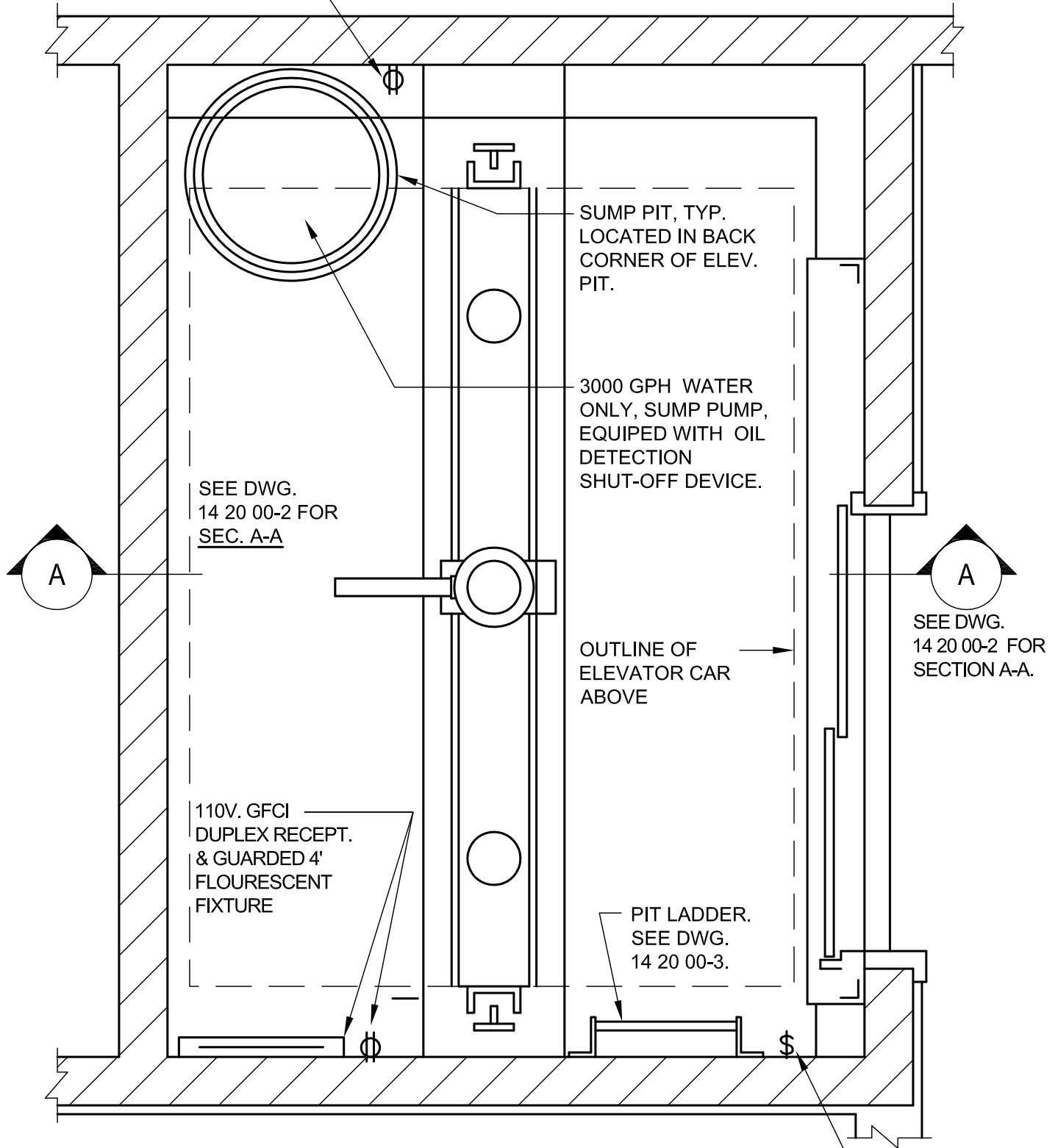


110 V. SINGLE RECEPT. ON DESIGNATED CIRCUIT WITH 3/4" C. FOR SUMP PUMP.

**GENERAL NOTES:**

1. LOCATION OF ALL ITEMS MUST BE COORDINATED WITH ELEVATOR CONTRACTOR BEFORE INSTALLING.
2. LOCATE ELECTRICAL ITEMS 48" ABOVE ELEV. PIT AS PER NEC OR PROVIDE NEMA RATED EQUIVALENT.



SUMP PIT, TYP. LOCATED IN BACK CORNER OF ELEV. PIT.

3000 GPH WATER ONLY, SUMP PUMP, EQUIPED WITH OIL DETECTION SHUT-OFF DEVICE.

SEE DWG. 14 20 00-2 FOR SEC. A-A

SEE DWG. 14 20 00-2 FOR SECTION A-A.

110V. GFCI DUPLEX RECEPT. & GUARDED 4' FLOURESCENT FIXTURE

OUTLINE OF ELEVATOR CAR ABOVE

PIT LADDER. SEE DWG. 14 20 00-3.

**PLAN VIEW**  
NTS

LIGHT SWITCH, INSTALL LIGHT SWITCH A MINIMUM OF 18" ABOVE LANDING SILL ADJACENT TO PIT LADDER.

**ELEVATOR PIT - PLAN VIEW**

Date: June 15, 2013

Dwg. No.: 14 20 00-1