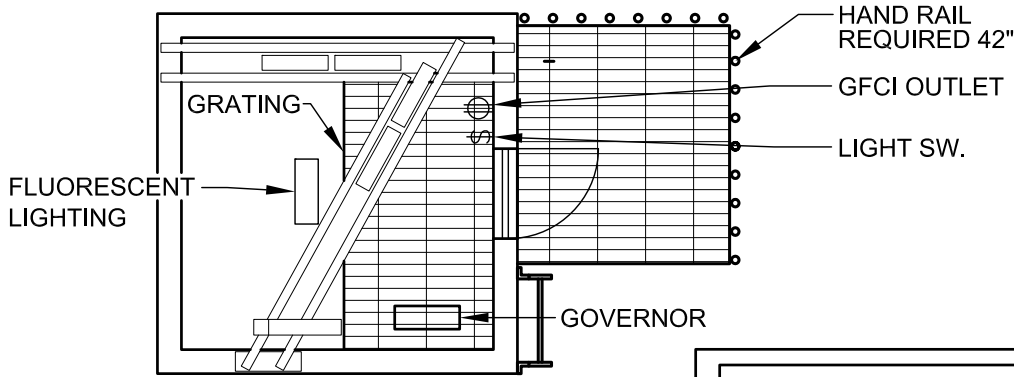
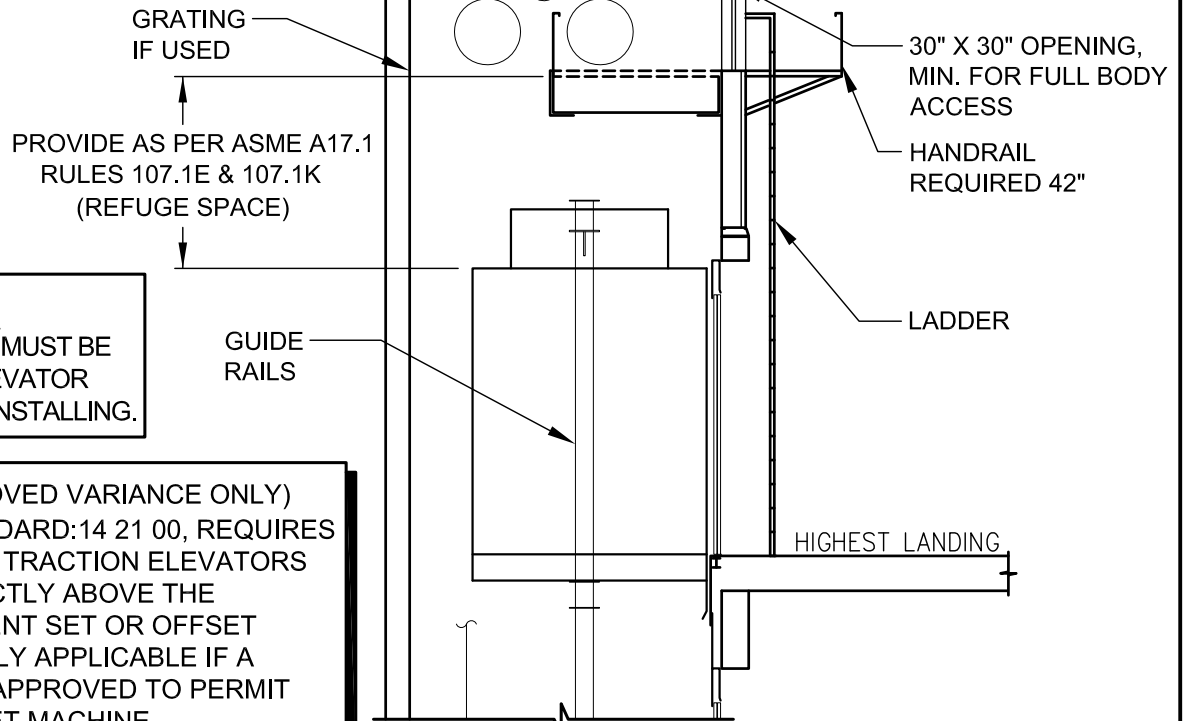


EXAMPLE ONLY



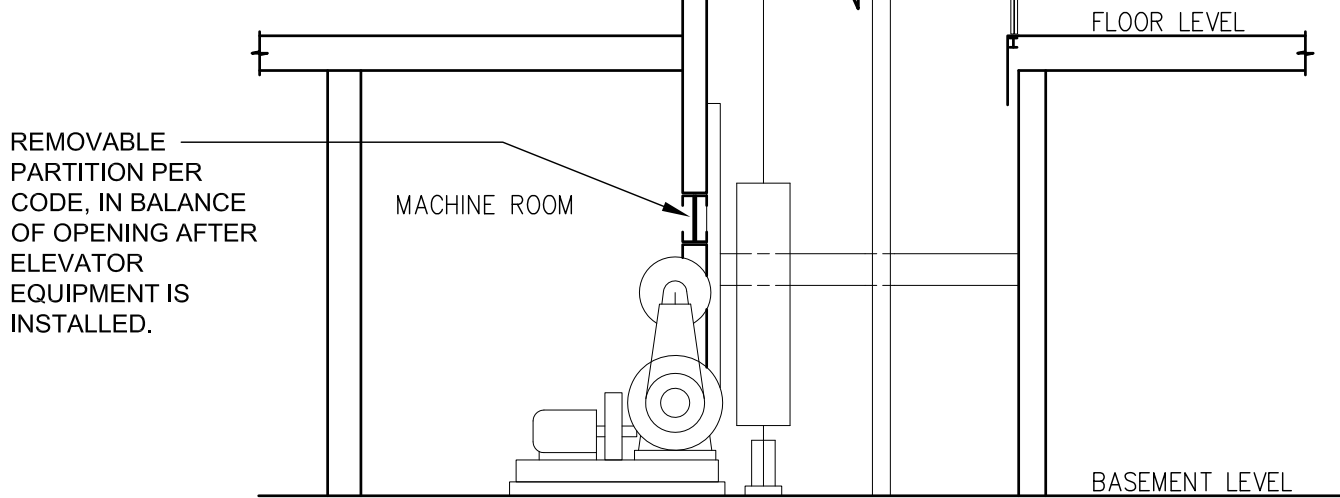
PLAN OF OVERHEAD
NTS



OVERHEAD CLEARANCE REQUIREMENTS MUST BE MAINTAINED.

GENERAL NOTE:
LOCATION OF ALL ITEMS MUST BE COORDINATED WITH ELEVATOR CONTRACTOR BEFORE INSTALLING.

NOTE: (FOR APPROVED VARIANCE ONLY)
UIUC FACILITIES STANDARD: 14 21 00, REQUIRES MACHINE ROOMS FOR TRACTION ELEVATORS TO BE LOCATED DIRECTLY ABOVE THE HOISTWAY. A BASEMENT SET OR OFFSET MACHINE ROOM IS ONLY APPLICABLE IF A VARIANCE HAS BEEN APPROVED TO PERMIT THE USE OF AN OFFSET MACHINE.



ELEVATION OF OVERHEAD
NTS

OVERHEAD MACHINERY SPACE REQUIREMENTS

Date: June 15, 2013
Dwg. No.: 14 20 00-5