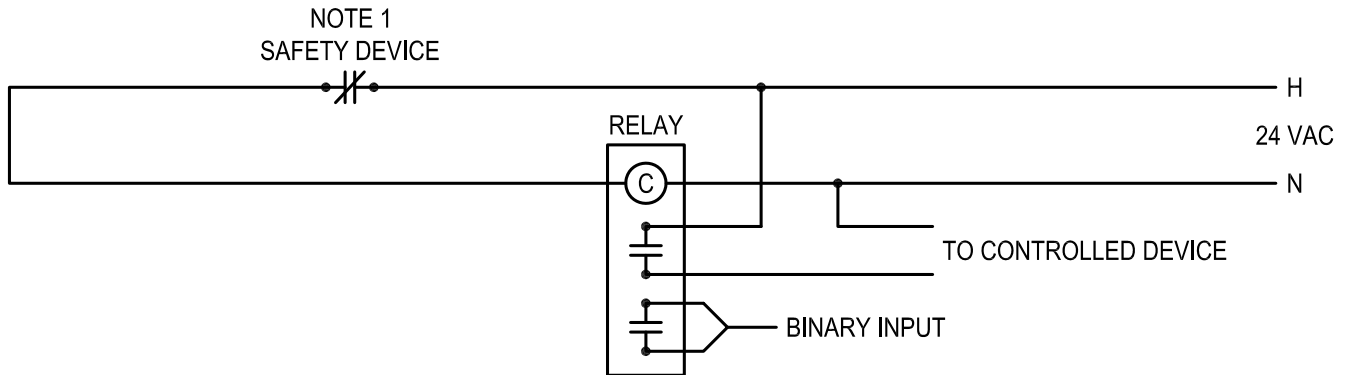


GENERAL NOTE:

1. MULTIPLE RELAYS SHALL BE ADDED TO THE CIRCUIT IN SERIES AS REQUIRED ON APPLICATION.



GENERAL SAFETY CIRCUIT

NOT TO SCALE

23 09 23-05

GENERAL SAFETY CIRCUIT

Date: June 15, 2013

Dwg. No.: 23 09 23-5