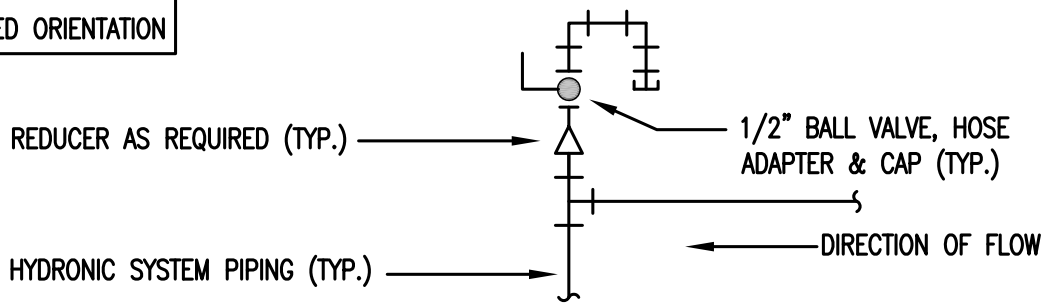
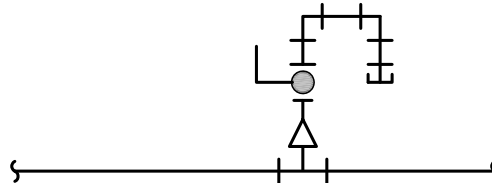


# MANUAL AIR VENT

## PREFERRED ORIENTATION



## ACCEPTABLE ORIENTATION

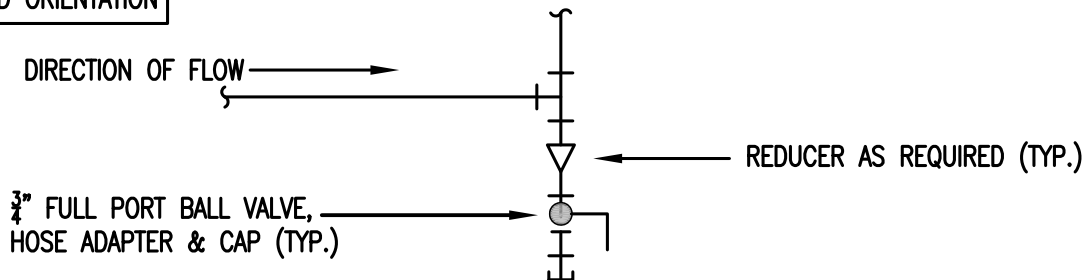


### NOTES:

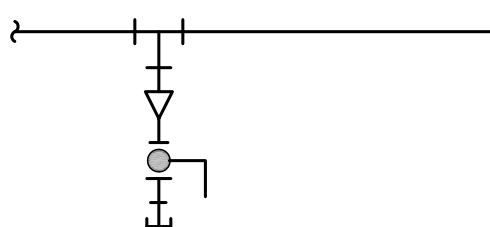
1. INSTALL AIR VENT AT EACH HIGH POINT IN SYSTEM
2. ORIENT TO MAXIMIZE ACCESS TO HOSE ADAPTER
3. THREAD-O-LETS MAY BE USED IN LIEU OF FITTINGS FOR LARGER PIPING
4.  $\frac{1}{4}$ " BALL VALVE MAY BE USED WHERE SPACE IS INADEQUATE FOR  $\frac{1}{2}$ " VALVE
5. "COIN VENTS" NOT ALLOWED

# MANUAL DRAIN

## PREFERRED ORIENTATION



## ACCEPTABLE ORIENTATION



### NOTES:

1. INSTALL DRAIN AT EACH LOW POINT IN SYSTEM
2. SMALLER DRAIN VALVE MAY BE USED WHEN PIPING IS SMALLER THAN  $\frac{3}{4}$ "
3. THREAD-O-LETS MAY BE USED IN LIEU OF FITTINGS FOR LARGER PIPING



# HYDRONIC SYSTEM AIR VENT AND DRAIN INSTALLATION

NOT TO SCALE

23 21 13-02

HYDRONIC SYSTEM AIR VENT AND DRAIN INSTALLATION

Date: June 15, 2013

Dwg. No.: 23 21 13-02