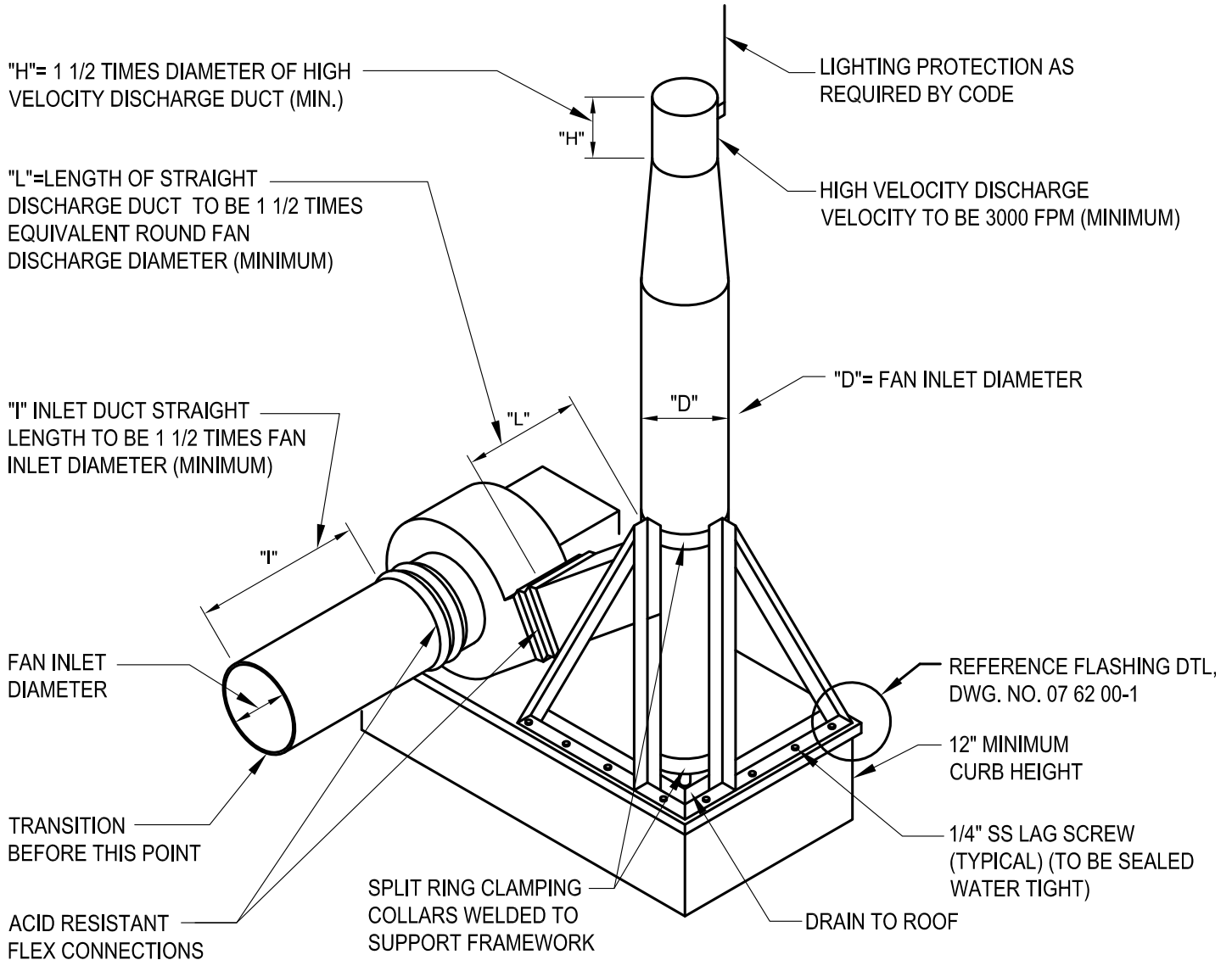


NOTES:

1. CURB TO BE ANCHORED SECURELY TO DECK WITH STAINLESS STEEL CLIP ANGLES AT CURB CORNERS AND MID POINTS.
2. CURB CAP TO BE 16 GA. STAINLESS STEEL CONSTRUCTION WITH 3" LIP AND WELDED CORNERS. CURB CAP TO BE SECURELY MOUNTED TO CURB.
3. DUCTWORK AND STACK TO BE 316L STAINLESS WELDED CONSTRUCTION, 18 GAGE MIN.
4. 1" DIAMETER WELDED STAINLESS STEEL COUPLING TO BE INSTALLED AT BOTTOM OF STACK FOR DRAIN LINE.
5. SUPPORT FRAMEWORK TO BE 1 1/2" X 1 1/2" X 3/16" PAINTED STEEL OR GALVANIZED ANGLE IRON. ALL WELDS TO BE PAINTED. ANGLE IRON SUPPORT FRAME TO BE SECURELY MOUNTED TO CURB TO WITHSTAND WIND LOADING OF FUME HOOD STACK.
6. STACK TERMINATION HEIGHT TO BE 10' MINIMUM ABOVE ADJACENT ROOF ELEVATION.
7. FUME HOOD EXHAUST FAN TO BE INSTALLED ON RESTRAINED SPRING TYPE VIBRATION ISOLATORS.
8. THIS DETAIL FOR FUME HOOD EXHAUST FAN TO BE LOCATED OUTSIDE OF BUILDING.



OUTDOOR CURB-SUPPORTED FUME HOOD EXHAUST FAN/STACK INSTALLATION



NOT TO SCALE

23 30 00-1

OUTDOOR CURB-SUPPORTED
FUME HOOD EXHAUST FAN/STACK INSTALLATION

Date: June 15, 2013

Dwg. No.: 23 30 00-1