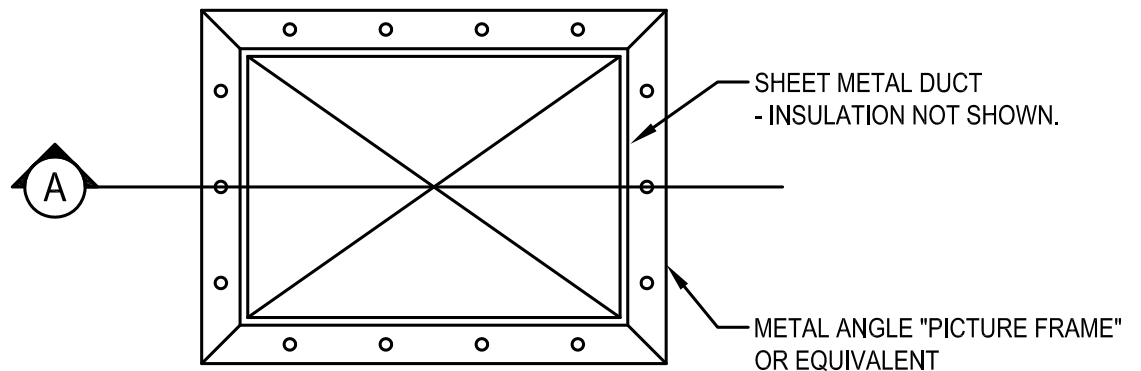


SECTION "A" VIEW



PLAN VIEW

FLOOR PENETRATION FOR RECTANGULAR DUCT

XX

NOT TO SCALE

23 30 00-02

0	6/22/10	ORIGINAL ISSUE
#	DATE	REVISION DESCRIPTION

Date: June 15, 2013

Dwg. No.: 23 30 00-02

FLOOR PENETRATION FOR RECTANGULAR DUCT