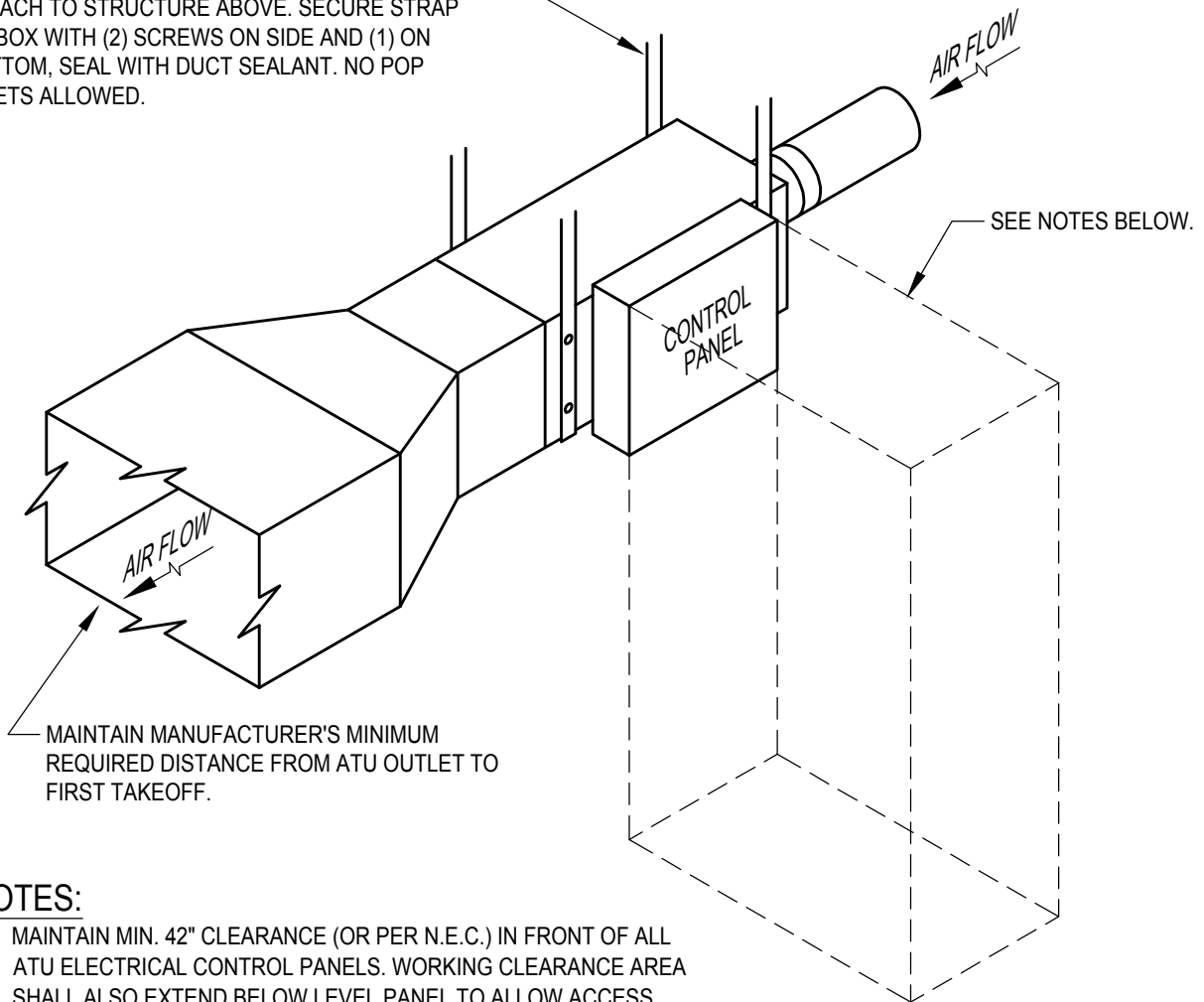


MIN. 1" x 22 GA. STRAP HANGER, TYP. (4) PER BOX. ATTACH TO STRUCTURE ABOVE. SECURE STRAP TO BOX WITH (2) SCREWS ON SIDE AND (1) ON BOTTOM, SEAL WITH DUCT SEALANT. NO POP RIVETS ALLOWED.



NOTES:

1. MAINTAIN MIN. 42" CLEARANCE (OR PER N.E.C.) IN FRONT OF ALL ATU ELECTRICAL CONTROL PANELS. WORKING CLEARANCE AREA SHALL ALSO EXTEND BELOW LEVEL PANEL TO ALLOW ACCESS FROM BENEATH. NO PIPES, SPRINKLERS, CONDUITS, ETC. SHALL BE INSTALLED WITHIN THIS ZONE. COORDINATE CAREFULLY WITH OIHTER TRADES.
2. WHERE ATU'S OR THEIR WORKING CLEARANCE FALL ABOVE LIGHT FIXTURES, THE FIXTURE MUST HAVE A FLEXIBLE WHIP TO ALLOW TEMPORARY RELOCATION FOR ACCESS TO ATU, COORDINATE WITH ELECTRICAL CONTRACTOR, SEE ELECTRICAL PLAN NOTES.



AIR TEMINAL UNIT INSTALLATION

NOT TO SCALE

23 36 00-2

AIR TERMINAL UNIT INSTALLATION

Date: OCTOBER 1, 2017

Dwg. No.: 23 36 00-2