

**NOTE:**

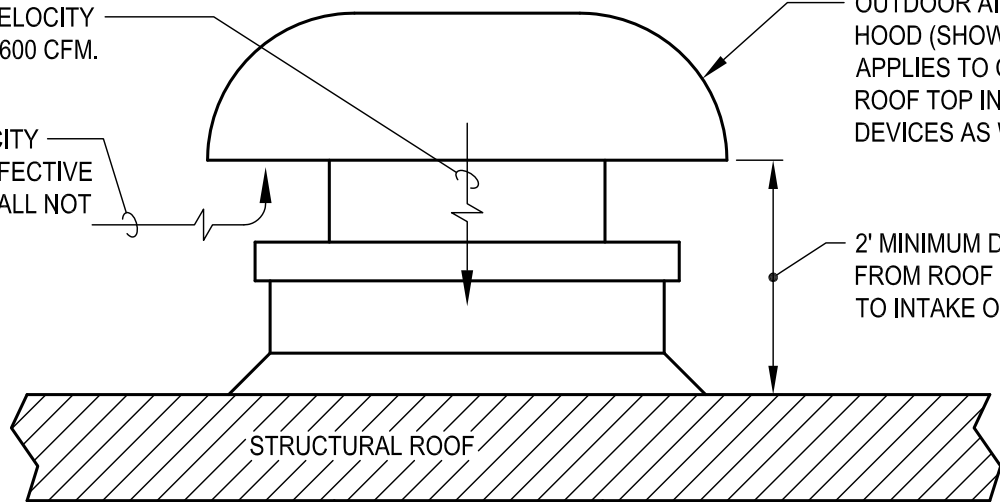
ROOF MEMBRANE AND INSULATION  
NOT SHOWN FOR CLARITY.

MAXIMUM THROAT VELOCITY  
SHALL NOT EXCEED 600 CFM.

MAXIMUM AIR VELOCITY  
THROUGH TOTAL EFFECTIVE  
INTAKE OPENING SHALL NOT  
EXCEED 300 FPM.

OUTDOOR AIR INTAKE  
HOOD (SHOWN), DETAIL  
APPLIES TO OTHER  
ROOF TOP INTAKE  
DEVICES AS WELL.

2' MINIMUM DISTANCE  
FROM ROOF MEMBRANE  
TO INTAKE OPENING.



STRUCTURAL ROOF

MOTORIZED DAMPER PER  
CONTROL DAMPER  
SPECIFICATION  
- LOCATE BELOW ROOF LEVEL

ACCESS DOOR

SNOW/WATER COLLECTION  
BASIN.  
• SEAL WATER TIGHT ALL  
AROUND

OUTDOOR AIR  
SUPPLY DUCT

**NOTE:**

BASIN SHOWN FOR COLLECTION AND  
RE-EVAPORATION OF SNOW/WATER.

6" MIN.

[ NOTE TO AE:  
WHERE SUBSTANTIAL ENTRANCE OF SNOW/WATER IS  
ANTICIPATED, PIPED DRAINAGE SHALL BE PROVIDED. ]



# ROOF INTAKE DETAIL

NOT TO SCALE

23 37 00-03

ROOF INTAKE DETAIL

Date: June 15, 2013

Dwg. No.: 23 37 00-03