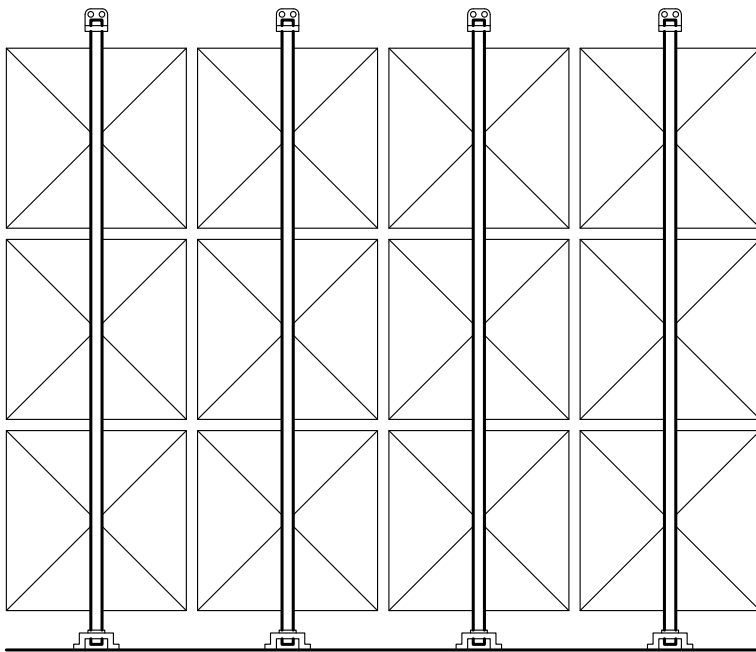


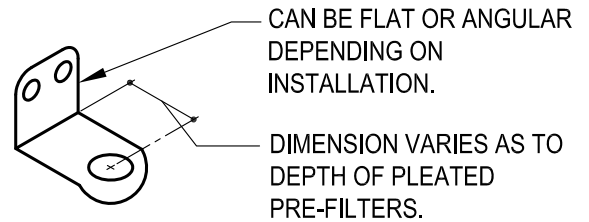
**CONSTRUCTION:**

- A. BRACKETS: 14 GAGE GALVANIZED OR 0.80" ALUMINUM. CORNERS ROUNDED AND EDGES DE-BURRED.
- B. PIPE: 3/4" EMT CONDUIT.
- C: CONDUIT SHALL BE FLUSH WITH AIR ENTERING SIDE OF FILTER.

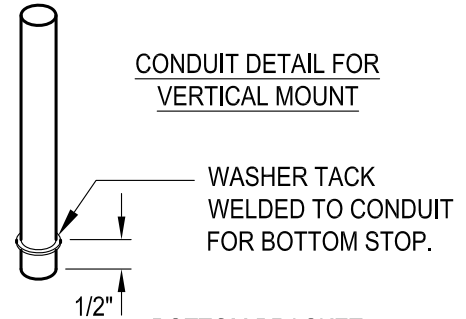
1. VERTICAL



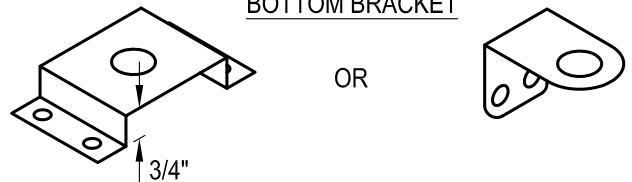
TOP BRACKET



CONDUIT DETAIL FOR VERTICAL MOUNT



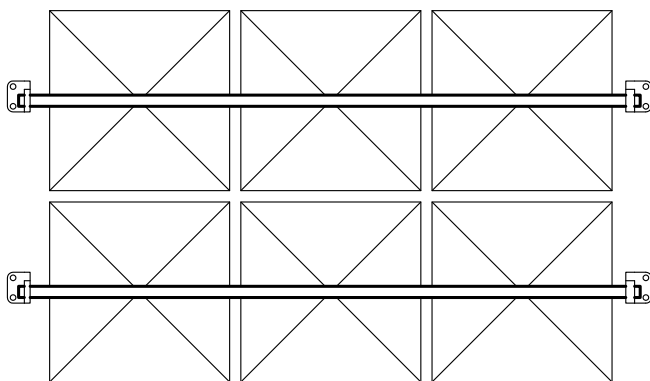
BOTTOM BRACKET



**NOTE:**

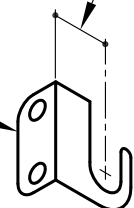
ATTACH BY BOLTS, RIVETS OR WELD TO FILTER RACKS OR AIR HANDLING UNIT WALL, NOT INTERFERING WITH FILTER INSTALLATION.

2. HORIZONTAL



DIMENSION VARIES AS TO DEPTH OF PLEATED PRE-FILTERS.

CAN BE FLAT OR ANGULAR DEPENDING ON INSTALLATION.



BRACKETS:  
1 LEFT (SHOWN)/ 1 RIGHT

**FILTER RACK CONVERSION DETAIL  
FROM STANDARD CLIPS TO MULTIPLE PIPE RACKS**



NOT TO SCALE

23 41 00-1

FILTER RACK CONVERSION DETAIL  
FROM STANDARD CLIPS TO MULTIPLE PIPE RACKS

Date: June 15, 2013

Dwg. No.: 23 41 00-1