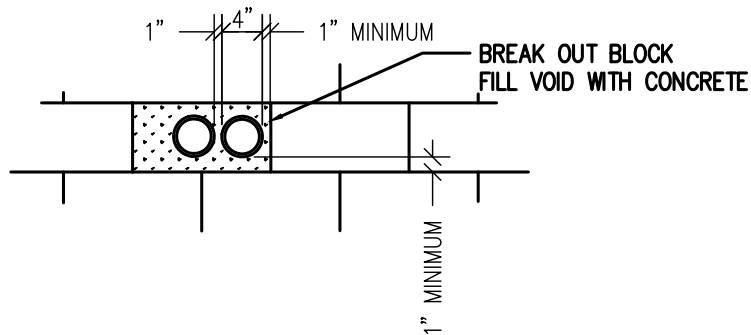
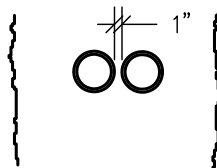


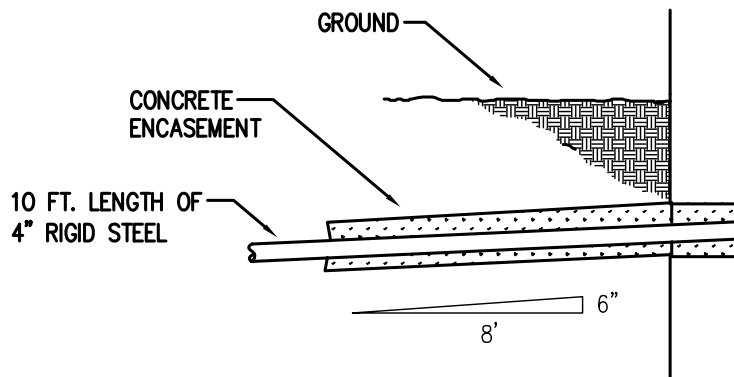
TYPICAL THICKWALL CONDUIT ENTRANCE
THRU BRICK WALL



TYPICAL THICKWALL CONDUIT ENTRANCE
THRU CINDER BLOCK WALL



TYPICAL THICKWALL CONDUIT ENTRANCE
THRU POURED CONCRETE WALL



TYPICAL BUILDING ENTRANCE PROFILE
SHOWING CONDUIT SLOPE