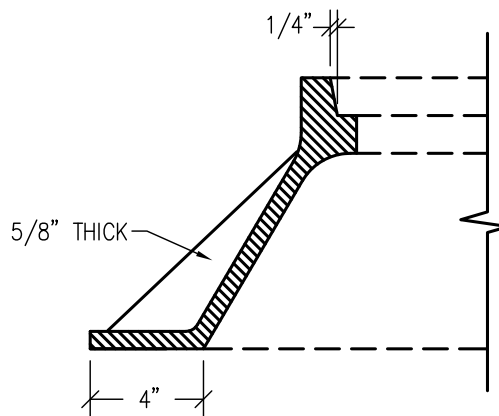


SECTION C-D



SECTION J-K

FRAME & COVER TO BE MODIFIED
FOR 2 5/8" X 3 1/4" PENTAGON
HEAD LOCK BOLTS

TELECOMMUNICATIONS MANHOLE COVER FRAME DETAIL

Date: June 15, 2013

Dwg. No.: 27 00 00-08