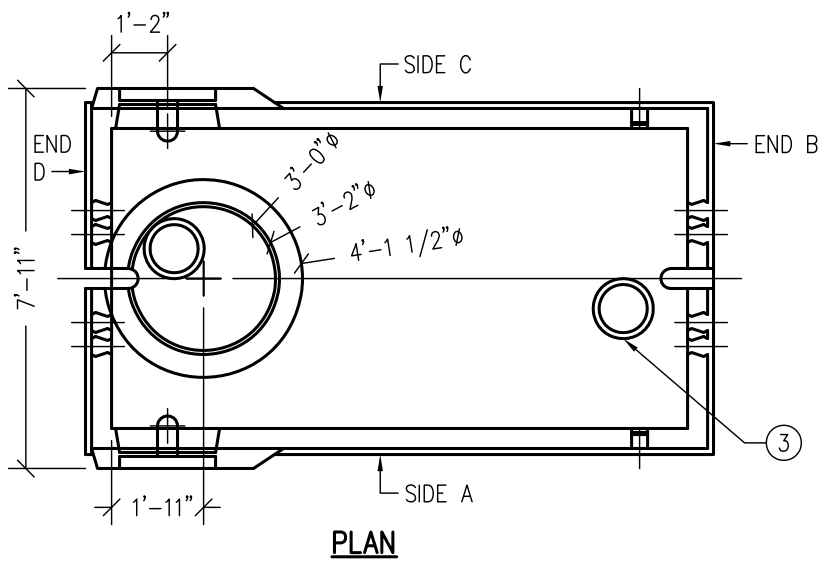
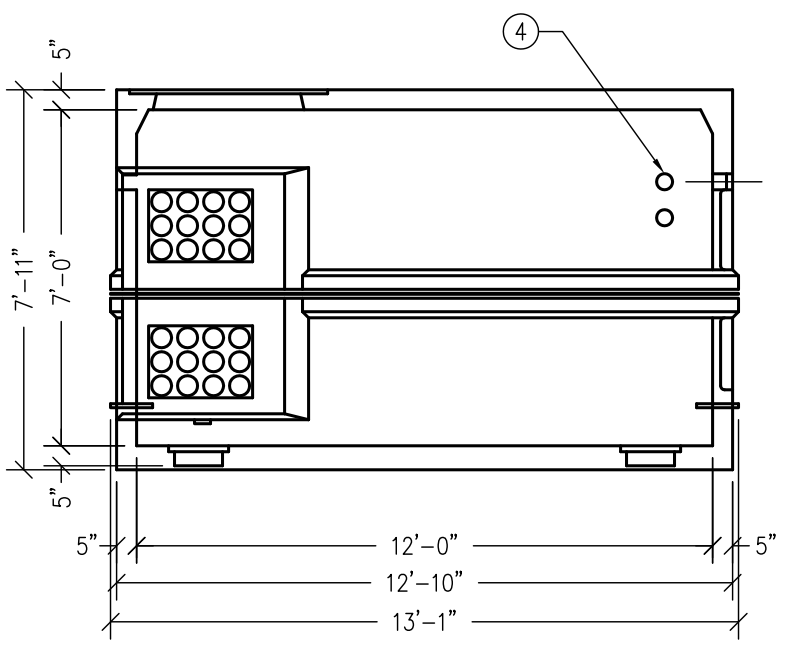


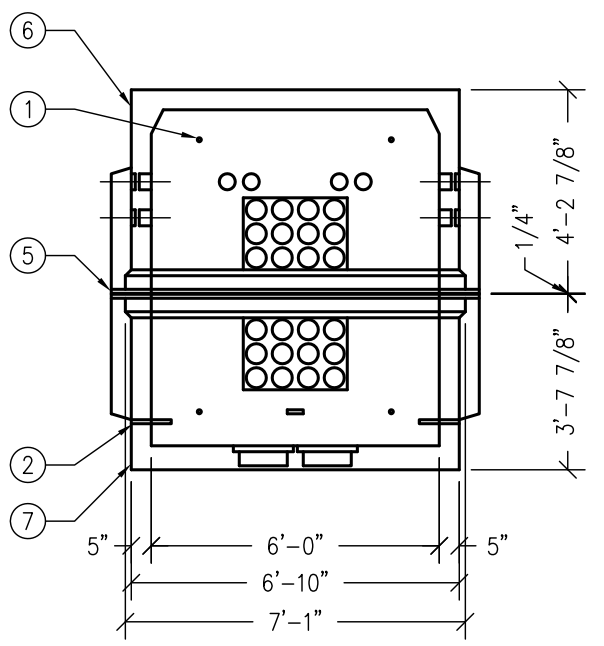
C:\Projects\UIC\1-House_Dwg_Encl\Encl\Drawings\Standard\Details\1-Progress\2013 Std 04 Details\Drawing 27-00-00-09.rvt



PLAN



SIDE A ELEVATION
DUCT TERMINATOR SECTION
FOR SIDES A&C



SIDE D ELEVATION
DUCT TERMINATOR SECTION
FOR ENDS B&D

NOTES:

- 1) 1" ϕ PLASTIC LIFTING INSERTS WITH 1'-0"x4" LG. HEX HEAD CAP SCREW GRADE & BOLT MUST BE FULLY SEATED BEFORE LIFTING.
- 2) ONE FULL-DN IRON OPPOSITE EACH DUCT ENTRANCE.
- 3) 12" ϕ x 3 5/8" SUMP DEPRESSION 12"x12" 1/8" L AT BASE OF SUMP & A PLASTIC SUMP GRATE.
- 4) 4" PLASTIC DUCT TERMINATORS.
- 5) 1" ϕ JOINT SEALANT TAPE.
- 6) STEEL REINF. NOT SHOWN - SEE STEEL REINF. DWGS.
- 7) 4500 PSI - 28 DAY CONCRETE. TOTAL WEIGHT=29,400#
- 8) SEE SPECIFICATIONS FOR MATERIAL & REQUIREMENTS.
- 9) THIS MANHOLE HAS BEEN DESIGNED IN ACCORDANCE WITH THE LATEST ISSUE ACI & AASHC REQUIREMENTS FOR H-29 LOADING WITH 2" OF COVER.

HARDWARE REQUIREMENTS	
NO. REQ'D	ITEM/DESCRIPTION
64	1/2"x2" CABLE RACK INSERTS WITH BOLTS
8	1/4"x1" BONDING RIBBON INSERTS WITH SCREWS & CLIPS
8	1" ϕ PLASTIC LIFTING INSERTS W/ BOLTS
2	SUMPS & PLASTIC GRATES
4	PULL-IN IRONS
12	4" PLASTIC DUCT TERMINATORS
12 FT.	ELECTRICAL BONDING RIBBON
52 FT.	1" ϕ JOINT SEALANT TAPE